

cover is firmly against the face of the flywheel.

Clutch Adjustment

Wear on the throw-out bearing and other clutch parts make necessary occasional adjustment to the clutch pedal. The proper procedure is:

1—With the clutch pedal against its stop, loosen bolt holding clamp.

2—Loosen check nut "A" and adjust stop bolt "B" until there is $\frac{1}{2}$ " clearance between the pedals and the floor board.

3—Tighten check nut and clamp bolt.

4—Loosen lock nut "C" and check nut "D".

5—Turn adjusting screw until clutch pedal has 1" of free movement before clutch starts to engage.

NOTE: Every time the pedal stop is moved it is necessary to re-adjust brakes.

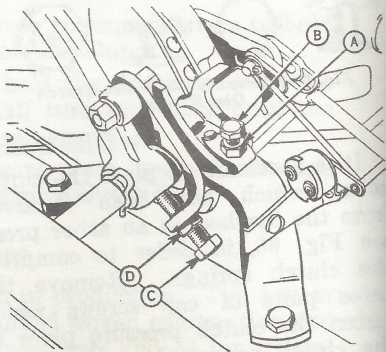


Fig. 65—Clutch Adjustment